



Charles Sturt Campus Services Limited

ABN 37 063 446 864

Registered Office:

Division of Finance, Building 8

Charles Sturt University

Wagga Wagga NSW 2678



GOLF CART

GOLF CART

YOU MUST HOLD A CURRENT CLASS C DRIVERS LICENCE TO OPERATE THE GOLF CART

Scope: CSU Campus Orange & Thurgoona

Purpose: CSCS Limited has purchased two Golf Carts for the specific purpose of fulfilling the ever increasing demands and requirements of a growing residential community at CSU. The Golf Cart's versatility will allow the company to manage various new tasks that previously required a tray back Ute, which could not access various delivery and pick up points.

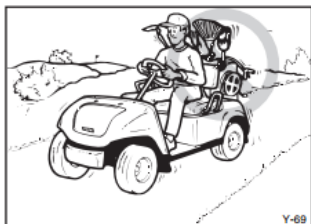


BEFORE OPERATING THE GOLF CAR

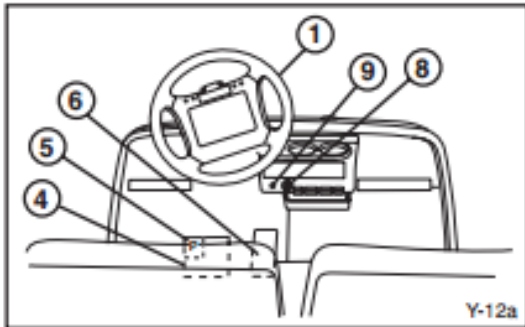
- Only authorized people should drive the golf car, from the driver's side only, and only in designated areas.
- Do not allow more than two people to ride in the golf car. This golf car is restricted to two occupants.
- Do not operate the golf car while under the influence of alcohol or drugs; their effect on vision and judgment make operating a golf cart dangerous.
- Do not operate the golf car on public streets, roads or highways. Such use is prohibited by law, and dangerous. Operation on public roads can result in collision with other vehicles.
- Personnel operating the Golf Car **MUST** wear a high visibility vest or jacket at all times.

WHILE OPERATING THE GOLF CAR

- Keep your entire body inside the golf car, remain seated and hold on when the car is in motion.
- Do not start the golf car until all occupants are seated.
- Keep your hands on the steering wheel and your eyes on the path ahead.
- Use extra care in congested areas or when backing up. Always back up slowly, and watch carefully.
- Avoid starting or stopping abruptly.
- Vary the speed of the golf car to match the terrain of where you are driving.
- Avoid turning the steering wheel too sharply at higher speeds.
- Always drive slowly straight up or straight down slopes – never at an angle.
- Do not run the engine indoors. Exhaust gas is poisonous.

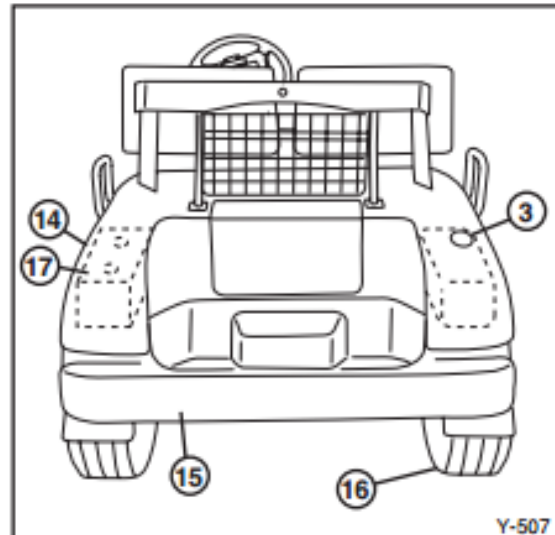
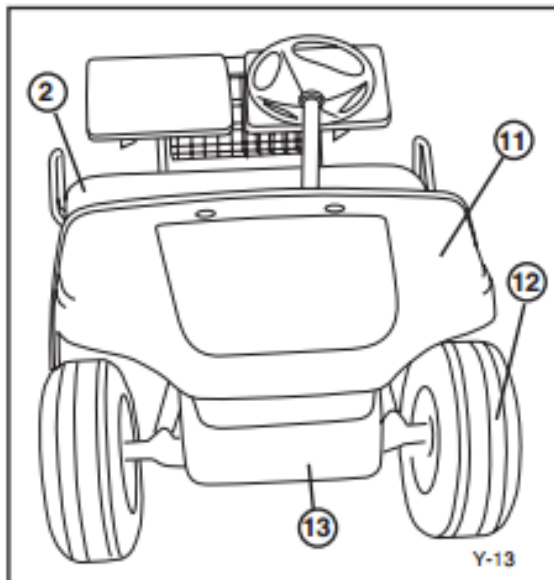
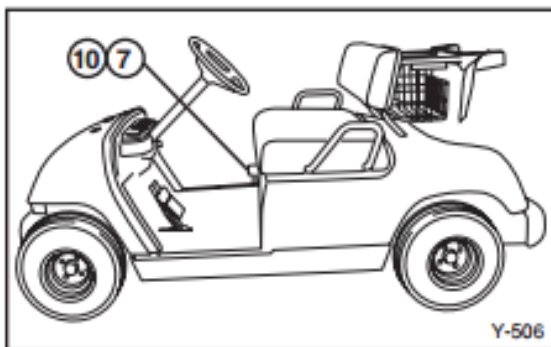


CONTROLS



FEATURES

- ① Steering wheel
- ② Seat
- ③ Fuel cap
- ④ Brake pedal
- ⑤ Parking brake pedal
- ⑥ Accelerator pedal
- ⑦ Drive selector lever
- ⑧ Main switch
- ⑨ Oil warning light
- ⑩ Choke knob
- ⑪ Front cowl
- ⑫ Front tire
- ⑬ Front bumper
- ⑭ Rear cowl
- ⑮ Rear bumper
- ⑯ Rear tire
- ⑰ Battery



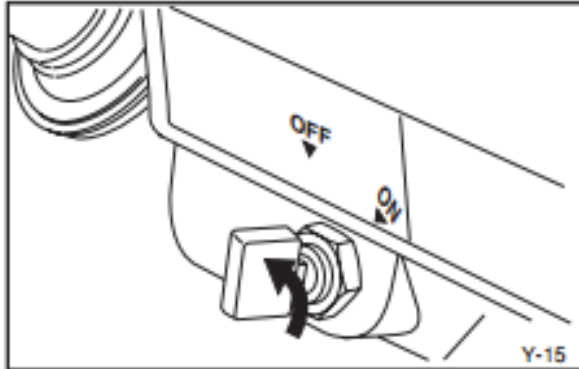
CONTROLS

MAIN SWITCH

The main switch controls the following items:

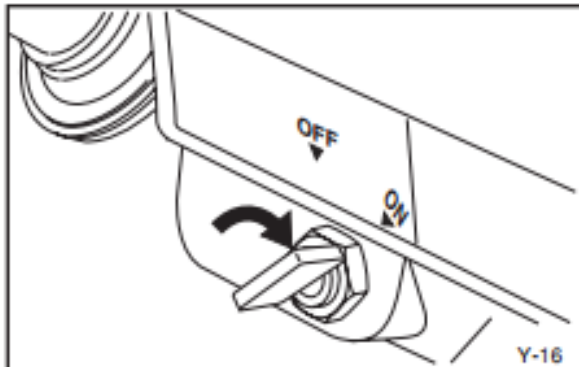
OFF

Ignition circuit is switched off.
The key can be removed only in this position.



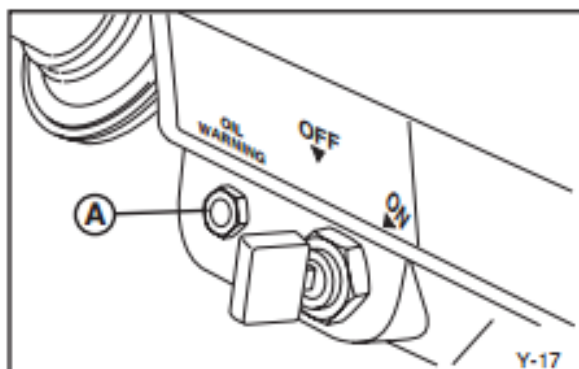
ON

Electrical circuits are switched on.
The golf car can be driven.



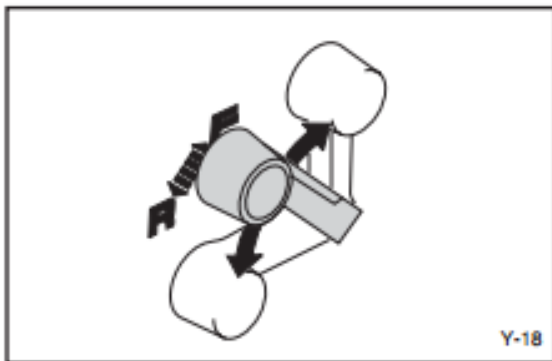
OIL WARNING LIGHT

When the engine oil level falls below an acceptable level, this light comes on. **If the light comes on, stop the engine, check the engine oil level, and add oil as necessary. (See page 6-3).**



Ⓐ Oil warning light

CONTROLS

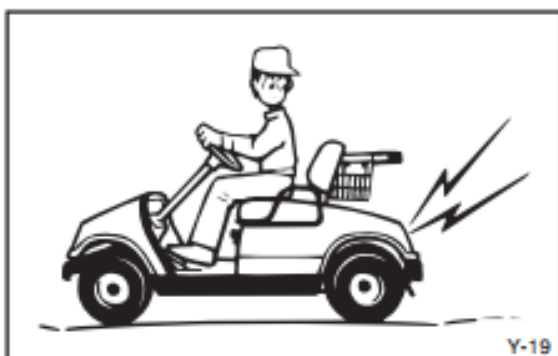


Y-18

DRIVE SELECT LEVER

The drive select lever is used to shift the golf car into forward or reverse. After coming to a complete stop, move the lever to the desired position.

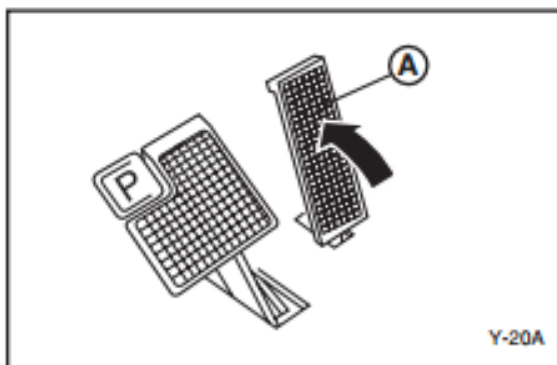
Lever Position	Car Movement
F	FORWARD
R	REVERSE



Y-19

NOTE:

The back-up buzzer will beep when the drive select lever is turned to "R."



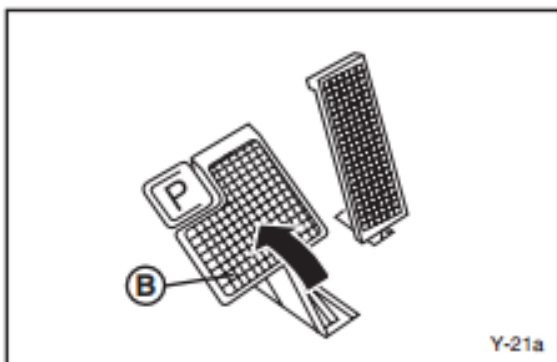
Y-20A

ACCELERATOR PEDAL

The accelerator pedal controls the golf car's speed.

Action	Car Speed
Depress pedal	Increase
Release pedal	Decrease

Ⓐ Accelerator pedal



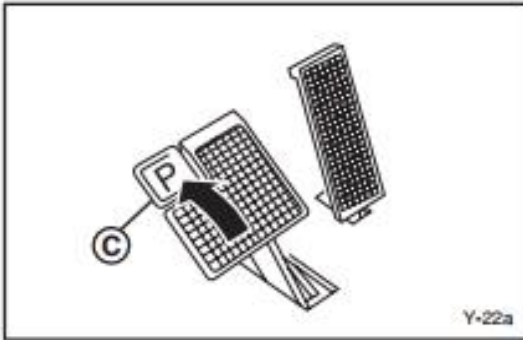
Y-21a

BRAKE PEDAL

Press down on the brake pedal to stop the golf car.

Ⓑ Brake pedal

CONTROLS



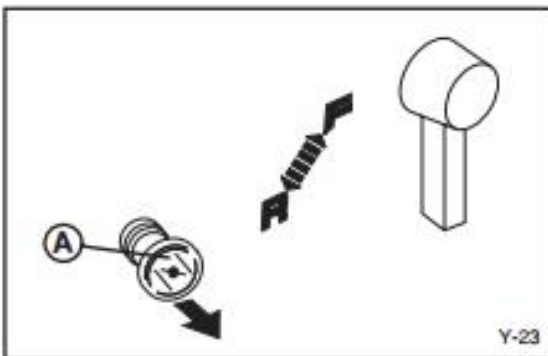
PARKING BRAKE PEDAL

Press down on the parking brake pedal whenever parking the golf car.

© Parking brake pedal

NOTE: _____

Release the parking brake by depressing the accelerator pedal.



⚠ WARNING _____

The parking brake will automatically release when the accelerator pedal is depressed. If the main switch is in the "ON" position, depressing the accelerator may suddenly cause the golf car to move.

CHOKER KNOB

Pull and hold out choke knob when starting a cold engine. Release the knob after the engine starts.

Ⓐ Choke knob